



WORLDWIDE DIRECT DEMOCRACY NEWSLETTER

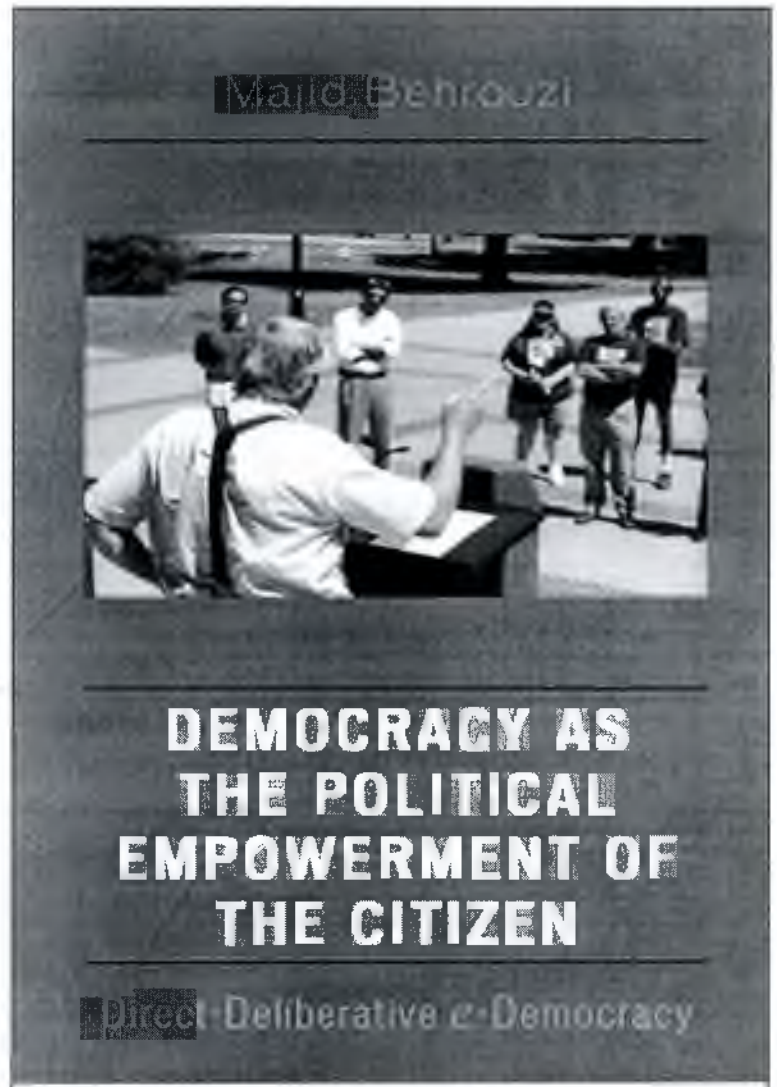
Vol. 8 (No. 3) September 2006

Oligarchic Solidarity

by Jiri Polak

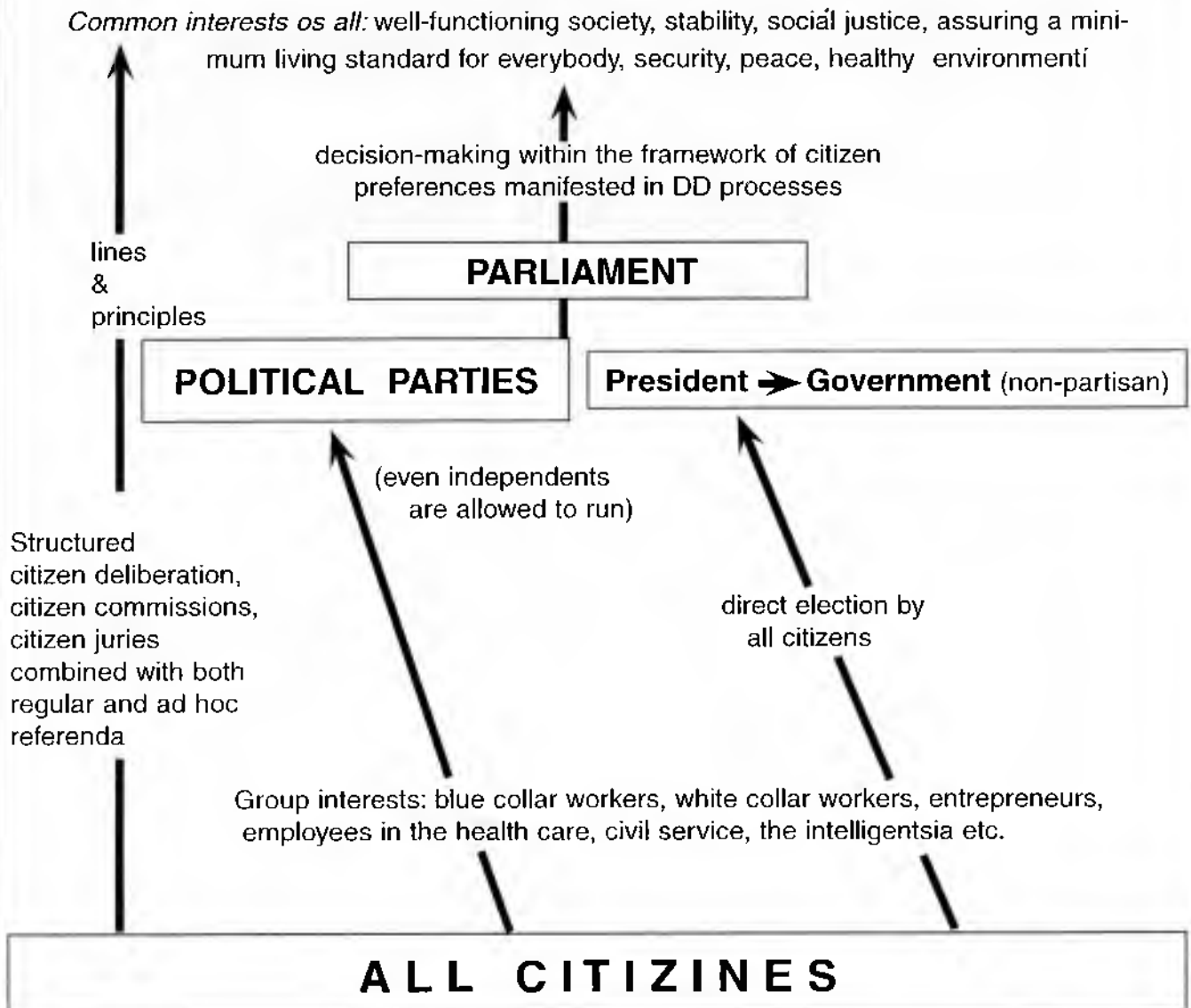
The *raison d'être* of current multi-party systems, both parliamentary and presidential, is the existence of social conflicts inside the respective society. Political parties have emerged to promote the interests of major social groups (the Marxist concept of *class* is too abstract and mechanical) in conflict with, and more or less to the detriment of, other groups, and even society as a whole. An analysis of the concept of *social groups*, as more adequate than the concept of *class*, has been presented in **George Sagi's** book *New Democracy, Apolitical Governance*. Thus, all party-based systems are built on social conflicts and without the underlying assumption of permanent conflicts, these systems would not be able to survive. Consequently, the party leaderships, who owe their high positions and privileges to the party system (whether one-party or multi-party), are not interested in resolving social conflicts in co-operation with other leaderships, or the whole citizenry; they are interested in nurturing and rhetorically stressing these conflicts *ad absurdum*.

Party-based systems, promoting the interests of a certain category of citizens (and, in reality, especially the interests of party-political elites) have never been, and never can be, democracies. Members of the DD movement should consistently avoid the word *democracy* when referring to these systems. The use of this word implies the assumption that it is possible to mend the obvious shortcomings of these, after all basically democratic, systems by the inclusion of certain improvements, especially I&R, in some marginal areas citizen deliberation, or some other procedures. To be honest, we should reject such tinkering, we should reject the very principle of party-political steering of society and, even if we admit that parties are still indispensable as the expression of specific interests, we should consistently reject the idea that these specific interests should be allowed, through their wouldbe *porte-paroles*, to govern us all. We should call the current



This is the second volume of the work the first volume of which was presented in the previous issue of this newsletter. In the introduction, the author writes, "... the present volume sets out to formulate a new theory that restores to democracy its ideal of the citizens' direct participation in legislative and political decision-making. As part and parcel of formulating the new theory, this volume develops a philosophical foundation for the now-ubiquitous idea of "e-democracy", and uses this foundation to argue that the idea merits serious consideration." "In conceptualizing democracy as the political empowerment of the individual citizens, the question of empowering the people is then transformed into the question of equally empowering the equal individual citizens who comprise the people." ... "...popular sovereignty cannot be represented. The book relentlessly pursues these ideas and attempts to incorporate them into the existing theoretical framework of the American liberal democracy."

A STRUCTURE OF FUTURE SYSTEMS OF SEMI-DIRECT DEMOCRACY



Principles:

- Separation of the executive power (President and Government) from the legislative power (Parliament), subjection of the Executive to Parliament, in some cases (stipulated in the Citizens' Constitution) also to referenda.
- Direct election of a non-partisan President by all citizens. The President nominates a non-partisan Government..
- The citizens' right to I&R on all levels. Adequate thresholds and feasibility in practice.
- In some cases compulsory treatment in Citizen Commissions (model *Planungszelle*).
- The Political System must be based on a Constitution formulated, discussed and adopted directly by the citizens, without the intermediary of political parties.
- The politicians are our employees. Their salaries and other emoluments must therefore be decided upon in special citizen commissions.
- The common interests of all must not be subject to party politics. The influence of vested interests on politics must be excluded. The whole system must be transparent and subjected to citizen control. Foreign, defense and environmental politics must be determined directly by citizens in referenda and citizen commissions.



Mike Gravel for President 2008

"Let the People Decide"



www.gravel2008.us 703-652-4698 info@gravel2008.us

INTERNATIONAL USA

Senator Gravel's Presidential Campaign

Press Schedule for July 2006

July 9, North Hollywood, CA: Interviews and meetings

July 10: Tentative interview - Gil Gross, KABC RADIO, private meeting and dinner

July 11, Tucson, AZ: Vietnam Veterans of America Leadership Conference

July 12: Vietnam Veterans of America, The President's Luncheon, The Coronado Room

July 13: Las Vegas, Meet and Greet; Private Meeting

July 14: Departure for Manchester, NH

Press Release by Mr. Elliott Jacobson (excerpts):

"Tucson, AZ - July 10, 2006 - In a blistering attack against the Bush Administration's treatment of American War veterans, Democratic Presidential contender and former US Senator Mike Gravel said at the annual Leadership Conference of Vietnam Veterans of America, "A society is judged by how its leaders treat its nation's young, its elderly and the guardians of its shores. On all counts the current administration has scandalously failed." ...

In connection with the War in Iraq, Senator Gravel said, "When I enter the White House on January 20, 2009, the War on Veterans will end and just as surely so will the War in Iraq. On that day I will order all of our troops out of Iraq, to be put on planes headed for the United States. The age of uninformed, ignorant adventurism and empire building will be over."

27 July, in *Southern Connecticut Newspapers, Inc., Staff Writer Keach Hagey*, published an article headlined **Presidential hopeful slams 'politics as usual'** Excerpts: "Former Alaskan Sen. Mike Gravel, the first Democrat to announce for president, stopped by Greenwich this week to both campaign for himself and throw his weight behind senatorial hopeful Ned Lamont. Gravel, who served as a senator from 1969 to 1981, decided to jump back in the political fray out of anger over the war in Iraq and frustration over what he calls 'politics as usual'."

"He called the Democrats who voted to give President Bush the power to invade Iraq 'gutless'."

"But Gravel's main reason for running for president is to push his main policy goal of direct democracy and a revamped federal tax code." ... He understands that Congress is unlikely to enact much of his agenda, and therefore encourages citizens to do so directly through his direct democracy Web site www.nationalinitiative.us." More information is available at www.gravel2008.us as well as several other websites.

What are his chances? Traditionally, under "normal" circumstances, to become a US President, tens of millions of dollars seem to be needed. Probably, Sen. Gravel does not have such money. But: **The current circumstances are**

anything but "normal"! There is not only the crazy war in Iraq, the fascistoid curtailment of rights and liberties in blatant contradiction to the spirit, if not the wording, of the Constitution, the phoney "war on terrorism". There is something much worse, namely the threat of a

9/11-"gate" (?)

looming large.

These are the facts: (Information obtained mainly from the **Global Outlook - Spring/Summer 2006**)

1. *Lack of military response to the hijacking* (GO - p.23 - 38)

2. *Bush's behavior when he received the news at Brooker Elementary School* (documented on film; he certainly did not seem to be surprised!)

3. *The lack of plausibility of a successful simultaneous take-over by terrorists.* ("It seems to me like 19 amateurs with box cutters taking over four commercial airlines and hitting 75% of their targets, that feels like a conspiracy theory. It raises a lot of questions," wrote Ch. Sheen in GO, p.3.) Expert pilots say it's impossible to fly heavy aircrafts without training.

4. *The virtual impossibility that steel constructions would collapse under the impact of a plane. The burning fuel would by far not be sufficient to produce such an effect, according to experts. Explosives must have been put into the buildings in advance. It must have been a controlled demolition resulting in an implosion instead of explosion. This fact seems to me to be the strongest evidence in favor of the critics' allegations.* On pages 42 - 43, GO brings the article presenting the lecture given by Prof. Steven Jones at the Brigham Young University. Quote: "If Dr. Jones work ever breaks into the mainstream media, and the rest of the country reacts the way the Utah County audience reacted, traditional political divisions will evaporate like steel beams exploded with thermite, and the whole lot of them, the Democrats and the Republicans will be swept away, along with the military-industrial complex that has apparently managed to subvert the constitution of the United States and to con the American public, mesmerized by the shock of 9/11 and hypnotized by spellbinding incantations of freedom and patriotism, into going along with their mad plans for world domination."

5. *Why has Osama bin Laden not been caught? "... the US military evidently allowed him to escape on at least four occasions ..."* (GO, p.18). Evidently, those in charge want to keep him in place as a bogey.

6. *The virtual impossibility for an amateur pilot to hit the Pentagon with a plane. Experts say even experienced pilots would not be able to do that. The hole did not correspond to the alleged attack. It looked more like a damage caused by a torpedo. For a long time, no photograph was produced to corroborate the official story. Finally, under pressure, the Pentagon produced a dubious picture which could be a fake.*

There are some more highly suspect circumstances which indicate that the official 9/11 story is a hoax.

"Over the past two years, scores of highly regarded individuals have gone public to express their serious doubts about 9/11. These include former presidential advisor and CIA analyst Ray McGovern, the father of Reaganomics and former Assistant secretary of the US Treasury Paul Craig Roberts, BYU physics Professor Steven Jones, former MI5 officer David Shayler, former Blair cabinet member Michael Meacher, former Chief Economist for the Department of Labor during President George W. Bush's first term Morgan Reynolds and many more." (GO p.3)

Imagine this scenario: Senator Gravel might include the demand for the elucidation of the background of 9/11 in his agenda and take the lead of the *9/11 Truth Movement*. Suppose the truth would finally explode in the mainstream media, unleashing a political tsunami which would wash away the corrupt establishment protagonists and, during this third "gate", bring to the top the honest, courageous and charismatic politician who, after having greatly contributed to the dismantling of the first "gate" (the Watergate), could now repeat this achievement on a much larger scale.... If so, American voters might well turn to him as the only person able to restore credibility to American democracy and return the former glory to the great American nation. Should this happen, we might well begin to believe that, indeed, "there's a divinity that shapes our ends, rough-hew them how we will"

10 August: These days, the Swedish TV was full of this news, called sensational: In Connecticut, Mr. Lamont defeated Mr. Lieberman in the battle for the Democrats' nomination for the Senate. Now, Lamont is supported by Sen. Gravel because he is opposed to the USA's involvement in Iraq. The Swedish TV's comment: It seems that the war in Iraq will be the main issue in the coming presidential election.

Mr. Lee Gottlieb has updated his four internet books: *The Democracy that Never Was; The Malfunctioning Animal; The Democracy that Could Be; A Theory of Subversion* (see <http://www.voicesfordd.com/morebooks.html>). Recently, he has also written *The Constitution of America*.


His *Overview of Proposed Organization* can be downloaded from <http://www.voicesfordd.com/articles/aplan-3.html>

Visit a new electronic DD periodical published by Mr. Mark Antell:

CitizenPowerMagazine.netAugust, 2006


Direct Democracy for the 21st Century

Highlights of This Issue [Go To Table of Contents](#)



Interview with Presidential Candidate Mike Gravel - Special for July Issue

"...We have a proposal to amend the constitution and set up legislative procedures for initiative. the Electoral Trust shall use the most advanced electronic initiative.... That's what the people will have with our national initiative!"



Interview with Daniel Roscoe, Candidate for US Congress

"As your Representative in Congress, I will vote exactly as you, the citizens in my district, direct me to vote through your participation on this website, or by secure telephone connection to my office in Washington: no ifs, and, or buts."

Report from Europe

Correspondant Jim Polak reports on organizations working toward Direct Democracy in Europe.

GREECE

28 July, information from Mr. George Kokkas, "Dear DD colleagues, I am proud to inform you that on July 14th 2006, the day of the French Revolution for Democracy, we succeeded to make DD happen! I coordinated the most serious event ever happened about Direct Democracy in contemporary Greece. It was a gathering of the people (Demos) of the island of Rhodes, as it happened in ancient times, in the Ancient amphitheater of the old town, who voted before their local elections, not for representatives, but on the major problems of the island in eight different entities (environment, traffic problems, etc.) giving an order to all candidates to disclose their views when they will be elected. Our NGO (Forum for Citizens' Democracy) organized the whole event with a big success, under the auspices of local authorities and NGOs.

Please give publicity to this important event, as it inspires us for authentic Democracy!"

"The whole event was a mixture of cultural and direct democratic elements, with the objective to give safe orders of people to the new local Authorities of Rhodes Island (to be elected next October) about the priorities of policies that people request.

After a couple of short introductory speeches, we had a small theatrical play, satyrizing the contemporary political life and then we begun the political event of the *Ecclesia*, with short speeches of local NGO's spokespersons, limited to 2 minutes maximum, giving the tempo and the sense of *isegoria* (equal speaking time) to the next citizen speakers."

Congratulations, George! JP



ΓΙΟΡΤΗ

ΕΥΡΕΣΕΩΣ

ΔΗΜΟΚΡΑΤΙΑΣ

ΣΥΓΧΡΟΝΗ ΕΚΚΛΗΣΙΑ ΤΟΥ ΔΗΜΟΥ ΡΟΔΙΩΝ

Η ΔΙΚΗ ΜΑΣ ΓΙΟΡΤΗ!

14.07.06

CANADA

19 June, information from Mr.M.Kolar:

"LINK: [http://ville.montreal.qc.ca/portal/page?](http://ville.montreal.qc.ca/portal/page?_pageid=3036,3377687&_dad=portal&_schema=PORTAL)

[_pageid=3036,3377687&_dad=portal&_schema=PORTAL](http://ville.montreal.qc.ca/portal/page?_pageid=3036,3377687&_dad=portal&_schema=PORTAL)-The Montréal Charter of Rights and Responsibilities is in force since January 2006. It covers democracy, economic and social life The Charter is ... the first of its kin in North America ... It encourages citizens' participation ... and enshrines some social and economic rights" ... "This charter is also the expression of the grass-root calls that the right of people for true local self-government be fully recognized"

MEXICO

28 July, information from Mr.Bruce Eggum: "I offer this information on the People of Oaxaca Mexico who are demanding "Direct Democracy" for themselves. ..." Mr.Eggum quotes the letter received from Mr. **George Salzman** (george.salzman@umb.edu): "... While the corporate media in the U.S. focuses our attention on the slaughter in Lebanon, the remarkable popular rising of the majority of people in the State of Oaxaca is receiving scant if any notice. But in the long run its impact may be enormous, because what is at stake is not merely a political change of who control the hierarchical governing power structure, but doing away entirely with that hierarchy and its coercive power, replacing it with an entirely different form of government. The article, 'A few of many strands in the struggle for life with dignity: Palestine and Oaxaca, and now Lebanon, and 'is at http://site.www.umb.edu/faculty/salzman_g/Strate/2006-07-27.htm

GERMANY

23 June, information from Mr.**Ronald Pabst**: NEWSLETTER #16

Contents:

0) Editorial: Campaign (Info about recent activities and successes of *Mehr Demokratie*)

- 1) How to Build an Organisation
- 2) Oneseat.EU
- 3) Berlin: Reform of Direct Democracy
- 4) DI-Book Project: Update
- 5) Athens: European Social Forum
- 6) ECI-Campaign

26 Juli, information from Mr.**Ronald Pabst**: NEWSLETTER #17

Content

- 0) Editorial: A Visit from Bhutan
- 1) Report: Democratisation from Above
- 2) IRI Asia: Report on Direct Democracy
- 3) South Tyrol: Struggle for More Democracy
- 4) New Convention, New Supporters
- 5) ECI: Supporters Wanted
- 6) Germany: Fair Election Law

(Quotation):

..... "A few weeks ago, a visitor from Bhutan came to Cologne, *Kinley Dirji*, editor of the newspaper *Kuensel*, visited Germany. He wanted to learn how the Germans handle democracy. We had the pleasure to welcome him because he wanted to know more about NGOs promoting citizens participation. But we also learned from him."

The full text of Mr.Pabst's Newsletters can be downloaded from

<http://www.democracy-international.org>

UKRAINE

Recently, a group of students living in Kyev have founded a DD organization called

Academy of Direct Democracy (see <http://www.freewebs.com/academydd>)

On 30 July, Ms **Maria Ivanova**, chief executive, a student of political science, wrote, "... My organization is very young, existing only for 3 months, and we haven't got any external financing yet. We tried to get some grants but the procedure is rather formal and bureaucratic, so it takes some time."

On 7 August, Ms Ivanova explained, "... So what we are doing now is conducting the discussion (as far as we can reach, via internet) about the creation of one all-Ukrainian youth parliament. This will contribute to the increasing of the number of the citizens participating in the state decision-making process, which is driving us closer to the participation of ALL citizens in the decision-making process, which is DD actually." Mainly, people don't take DD seriously. My older colleagues are like: 'OK, children, play here with your DD and we'll do the real things.'"

I (JP) mentioned that in our European network, there is only one prominent international female activist, i.e. *Filia*, to which she replied, "This is really strange as all girls are active here and take part in numerous events and do their best but in the end, boys get to the top of all organizations, groups, parties etc. In our youth parliament project, I've suggested to guarantee the 1:1 representation of both sexes and you know what I've got? A hot discussion on the subject that it is unfair and discriminative." (*Comment: I believe that the requirement of complete equality of both sexes is the obvious standpoint of all DD people. JP*)

CZECH REPUBLIC

The voter turn-out in the June 2006 parliamentary election was about 67%. Some say 63%. Owing to the anti-democratic and discriminative 5% threshold, no DD party succeeded to get at least one MP. The co-founder of DEMOCRACY (see previous information), Mr.**Peter Czasch**, decided this time to promote the *Common Sense Party* which seemed open to DD ideas. Mr.Czasch invested 2,5 million Czech crowns from his own pocket (about 70.000 euro), which was all he had. If there were more people like him, the years of oligarchic rule in that country would be numbered. Thanks to his effort, the Common Sense Party obtained about 25,000 votes, i.e. about 0,5 % of the electorate, placing itself to the top among smaller parties. It was not enough. The smaller parties together gained about 6%. The war goes on ...

Mrs.**Jarmila Kubatova** is presenting for the Czech DD community an *Internet-based Voting System*. It is an ingenious combination of book-keeping and electronic technology. It contains two ideas which, to my knowledge, have never been proposed or tried in any country so far: 1.The direct inclusion of economic incentives in the voting procedure; 2.Special authorization for experts in the respective field to cast advisory votes concerning bills, before the voting in Parliament or referendum.

The procedure would be as follows (summary): Before each election, all qualified voters receive an envelope containing:

A list of all parties and candidates who run on that particular occasion

An election bank draft consisting of two identical parts

Detailed election instructions

The drafts would be anonymous, containing only a serial number - a PIN code, hidden below an effaceable foil. Combined with a



proof of identity, the voter's signature, and the post office's or bank's rubber stamp, each draft would constitute the value of 100 crowns (about 3 euro). The voter would fill in the number of the party or individual candidate he/she votes for.

Behind the screen he/she would rub off both foils, keep one of the parts and cast the other one into the ballot box. The 100 crowns - the value of his/her vote - would be transferred to the respective party or candidate. The hundred crowns reserved, but not used by the person who abstained from voting, would be transferred to the State.

All votes would be stored in the internet and each voter would be able to check that his/her vote has been properly registered.

Mrs. Kubatova's proposal contains detailed descriptions of the procedures involved. To me, the proposal seems to be worth of serious consideration. Obviously, it would have to pass muster in the judgement of many more people. It will be presented at the next meeting of True Democrats. (JP)

Election Bank Draft

<p>100Kč</p> <p>1. <input type="text"/></p> <p>2. <input type="checkbox"/> <input type="checkbox"/> <input type="checkbox"/></p> <p>3. </p>	<p>100Kč</p> <p>1. <input type="text"/></p> <p>2. <input type="checkbox"/> <input type="checkbox"/> <input type="checkbox"/></p> <p>3. </p>
--	--

BELGIUM

23 June, information from Mr. M.Kolar:

LINK: <http://www.democratie.nu> - Democratie.Nu

The movement for (direct) democracy in Belgium, formerly called "WIT".

EUROPE

11 August, information from Mr. **Leopoldo Salgui**: The most recent activity of the forums at European Constituent Process has been

Everyone's a Citizen, Baby

<http://europeanconstituentprocess.net/phpBB2/viewtopic.php?t=49> and detto ... t=50 - 53 ...

EUROPA-MAGAZIN 1/2006 <http://www.europa-magazin.ch> published by the **Forum für direkte Demokratie**

"Das Forum für direkte Demokratie ist eine überparteiliche Bewegung von Leuten aus dem ökologisch-sozialen Lager, die der offiziellen EU-Politik gegenüber kritisch eingestellt sind."

Articles:

Kleine Länder und die Entscheidungsprozesse der EU - ein paar dänische Beispiele

Irland - ein Kleinstaat in der EU

An interesting quotation, showing the real motives: **"Minister als EU-Gesetzgeber"**

Wenn der EU-Beitritt für kleine Staaten ein Verminderung ihres Einflusses bedeutet, warum treten sie dann bei? ... Der wichtigste Grund besteht in den Ambitionen und im Eigennutz der nationalen Politiker, der sie gegen die Interessen ihrer Bevölkerungen handeln lässt. ... Auf der nationalen Ebene können die Minister zur Verantwortung gezogen werden. Kann man die wichtige Politik jedoch nach Brüssel verschieben, wird der fragliche Minister, im Heimatland Teil der Exekutive, zum supranationalen Gesetzgeber auf der EU-Ebene, einer von 25 Mitgliedern des EU-Ministerrates. Sie können gemeinsam Gesetze für 450 Million Europäer hinter verschlossenen Türen erlassen, oft auf der Basis von Paket-Lösungen, wobei die Grossen der europäischen Welt ein Übergewicht haben."

Demokratie oder Mitmischen der schweizerischen "Eliten" in Brüssel

Buchbesprechungen, Kurzinfos

L'exemple de la directive sur les services

Die Folgen der EU-Mitgliedschaft: das ungarische Beispiel

Der Bock als Gärtner

Kurzinfos Varia

THE WORLD

4 May, information from Mr. M.Kolar: "I recommend you to visit the Spanish site

<http://www.worldvotenow.com> On 15 May, they organize a **Global E-Voting Simulation** as a practical proof of the fact that the technology needed for "more direct" democracy is already available."

Discussions about how to organize WDDM are going on. On 12 May, Mr. **Bruce Eggum** wrote, "WDDM could be more secure and responsible if WDDM were a non-profit organization which could solicit funds from the public, maintain a bank account, and be accountable. This requires a structure (accountability) which is also required by most if not all nations to license an organization.

Please note, the organization can be structured so it is accountable to the members, such as a cooperative model instead of a hierarchical model. The structure is determined in the "constitution" or "charter".

This all follows the intentions of the Prague Conference here: <http://www.world-wide-democracy.net/thirdconf/wddmeo.html>

I suggest we carry this conversation on at the Forum

<http://www.world-wide-democracy.net/forum>

25 May, **Triaka** sent round a proposal concerning "The Constitution of United Diversity - The World Cooperative".

<http://groups.yahoo.com/group/uniteddiversity>

"DECLARATION - The CONSTITUTION of UNITED DIVERSITY is a voluntary Universal Agreement of, by, and for Individuals everywhere which, by popular acceptance and in harmony with the Natural Laws of the Universe, is hereby declared Superior to all other Governmental Constructs."

On 12 June, **Triaka** sent this letter to the CICDD discussion channel:

"Aloha! My perspective is that no government or political system is 'ethically valid' without one's UNFORCED, EXPLICIT, DIRECT 'consent and support'.

No existing nation-state on earth meets this criteria. For an ethical new beginning, there is The CONSTITUTION OF UNITED DIVERSITY" (see above) "What say you? Goodwill to you, Triaka"

SIMPOL

18 July, information from Mr. **John Bunzl**:

"The latest issue of *It's Simpol!*, the newsletter of the International Simultaneous Policy Organisation has just been issued. You can view and/or download it for free by going to

<http://www.simpol.org.uk/pdfs/simpolsummer06.pdf>

If you would prefer to receive a World version as an attachment, please let us know by responding to this message."

The Simpol movement makes steady progress. The Newsletter mentions, among others, the following events:

New Zealand: The Incorporation of Simpol-NZ, scheduled for July 2006.

UK: Membership nominations and elections for the *Simpol-UK's provisional Policy Committee*.

.....
"The Simultaneous Policy leaves this imperfect system (based on indirect representation - JP) in place, but adds to it a 'parallel democracy' that allows politicians - across the world - to carry on supporting their party's policies at national level but drives them to support, and ultimately to implement global-level policies that citizens and voters are working across frontiers to create. Now there is news that such citizens and voters may indeed be a political force of increasing importance. In the UK, as an example, a recent BBC survey suggests there has been a shift of opinion towards SPlike values. This is because the survey reveals 'the emergence of a dynamic, socially engaged and environmentally conscious voter - estimated to be 20 million in number'

And in the USA, according to Donna Zajonc, cited by Center4Change, the maturing 'Millennium Generation' 'will have a huge impact on politics and society' because they will 'transform cultural attitudes, revolutionize work environments and empower the disenfranchised by blending their fierce independence with a vision for the common good.'"



SP  **It's Simpol !**

The Simultaneous Policy News • Spring 2006

The Need for SP in Brazilian Politics

George Vasconcelos Bezerra Alves, a candidate in the forthcoming Brazilian elections who has signed the Simultaneous Policy pledge, argues that SP may be essential if we are to make poverty history. Page 3

Corporate Accountability and the Simultaneous Policy - a report on Simpol-UK's policy forum, held at the House of Commons page 4

New features in this issue.

The news-watch column: Unexpected Support for SP's Strategy page 6

Simpol Satire: a cartoon depicting another SP win-win solution in a competitive world page 11

ISPO • PO Box 26547 • London • SE3 7YT www.simpol.org

YEARLY SUBSCRIPTION 10\$

ACCOUNT NR.: JIRI POLAK, 002022-0168677293 AT CS, JUGOSLAVSKA 19, PRAHA 2, CZECH REPUBLIC



DIRECTCRACY

Published by Movement for Direct Democracy

Responsible editor: Jiri Polak, Picture: Katka Svehlova, Print: Studio Contrast

MOVEMENT FOR DIRECT DEMOCRACY

JIRI POLAK
ASSARHUSVAVÄGEN 64
S-24736
S. SANDBY, SWEDEN
PHONE: 046/58891
E-MAIL:
JIRI.POLAK@SWIPNET.SE



Vol. 8 (No. 3) September 2006